

ASEPTICKÝ PROGRAM



Steril Flanschverbindung STERI-Connect®
Aseptic flange connection STERI-Connect®

| DIN | rozměr | A | B | C | D | LK |
|--------|-------------|-------|-------|-------|-------|-------|
| DN 8 | 10,0 x 1,0 | 10,0 | 8,0 | 88,0 | 60,0 | 40,0 |
| DN 10 | 12,0 x 1,0 | 12,0 | 10,0 | 88,0 | 65,0 | 45,0 |
| DN 10 | 13,0 x 1,5 | 13,0 | 10,0 | 88,0 | 65,0 | 45,0 |
| DN 15 | 19,0 x 1,5 | 19,0 | 16,0 | 88,0 | 75,0 | 55,0 |
| DN 20 | 23,0 x 1,5 | 23,0 | 20,0 | 92,0 | 80,0 | 60,0 |
| DN 25 | 29,0 x 1,5 | 29,0 | 26,0 | 102,0 | 85,0 | 65,0 |
| DN 32 | 35,0 x 1,5 | 35,0 | 32,0 | 102,0 | 95,0 | 75,0 |
| DN 40 | 41,0 x 1,5 | 41,0 | 38,0 | 102,0 | 100,0 | 80,0 |
| DN 50 | 53,0 x 1,5 | 53,0 | 50,0 | 106,0 | 110,0 | 90,0 |
| DN 65 | 70,0 x 2,0 | 70,0 | 66,0 | 130,0 | 140,0 | 115,0 |
| DN 80 | 85,0 x 2,0 | 85,0 | 81,0 | 130,0 | 150,0 | 125,0 |
| DN 100 | 104,0 x 2,0 | 104,0 | 100,0 | 134,0 | 170,0 | 150,0 |

| ISO | rozměr | A | B | C | D | LK |
|--------|-------------|-------|-------|-------|-------|-------|
| DN 8 | 13,5 x 1,6 | 13,5 | 10,3 | 88,0 | 60,0 | 40,0 |
| DN 10 | 17,2 x 1,6 | 17,2 | 14,0 | 88,0 | 65,0 | 45,0 |
| DN 15 | 21,3 x 1,6 | 21,3 | 18,1 | 88,0 | 75,0 | 55,0 |
| DN 20 | 26,9 x 1,6 | 26,9 | 23,7 | 92,0 | 80,0 | 60,0 |
| DN 25 | 33,7 x 2,0 | 33,7 | 29,7 | 102,0 | 85,0 | 65,0 |
| DN 32 | 42,4 x 2,0 | 42,4 | 38,4 | 102,0 | 95,0 | 75,0 |
| DN 40 | 48,3 x 2,0 | 48,3 | 44,3 | 102,0 | 100,0 | 80,0 |
| DN 50 | 60,3 x 2,0 | 60,3 | 56,3 | 106,0 | 110,0 | 90,0 |
| DN 65 | 76,1 x 2,0 | 76,1 | 72,1 | 130,0 | 140,0 | 115,0 |
| DN 80 | 88,9 x 2,3 | 88,9 | 84,3 | 130,0 | 150,0 | 125,0 |
| DN 100 | 114,3 x 2,3 | 114,3 | 109,7 | 134,0 | 175,0 | 150,0 |

jiné rozměry na přání

Aseptické přírubové spojení STERI-Connect® kompletní

Rozměry:

DIN 11866-A (DIN 11850)

DIN 11866-B (EN ISO 1127)

na přání DIN 11866-C (ASME BPE)

Značení:

rozměr, materiál, číslo tavby

Tolerance:

ISO 2768-1

Materiál:

AISI 316L ve styku s produktem

AISI 304 matice

EPDM těsnění (standardně), jiný typ na přání

Certifikát (nutno specifikovat v objednávce / poptávce):

EN 10204 3.1

EN 10204 3.1 AD-W2 (na poptávku)

Standardní povrch („MB“):

vnitřní: Ra ≤ 0,8 μm

vnější: Ra ≤ 1,6 μm

Variety vnitřního povrchu:

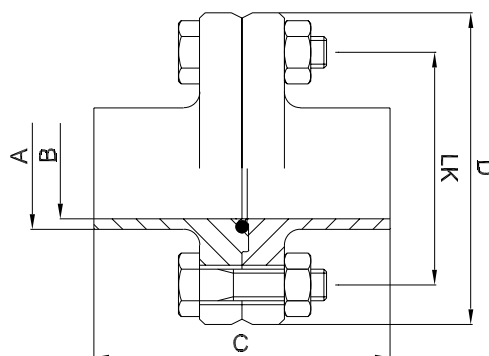
elektrochemicky leštěný

Ra ≤ 0,6 μm (STERI-line®)

Ra ≤ 0,5 μm (STERI-line®)

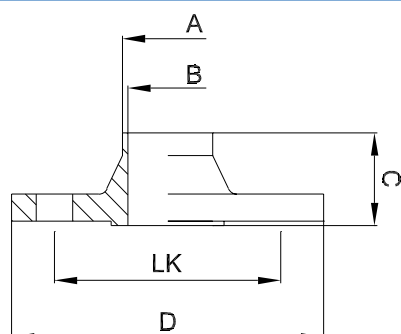
Ra ≤ 0,4 μm (HQ-line®)

Ra ≤ 0,25 μm (HQ-line®)



ASEPTICKÝ PROGRAM

Příruba s nákrůžkem - VS - STERI-Connect®

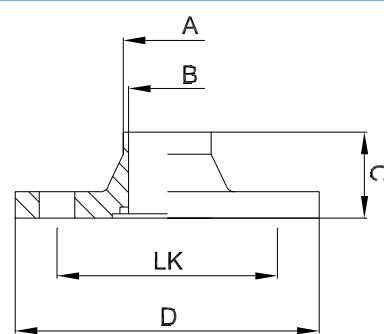

 Steril Flansch - VS
Aseptic flange - VS


| DIN | rozměr | A | B | C | D | LK |
|--------|-------------|-------|-------|------|-------|-------|
| DN 8 | 10,0 x 1,0 | 10,0 | 8,0 | 45,0 | 60,0 | 40,0 |
| DN 10 | 12,0 x 1,0 | 12,0 | 10,0 | 45,0 | 65,0 | 45,0 |
| DN 10 | 13,0 x 1,5 | 13,0 | 10,0 | 45,0 | 65,0 | 45,0 |
| DN 15 | 19,0 x 1,5 | 19,0 | 16,0 | 45,0 | 75,0 | 55,0 |
| DN 20 | 23,0 x 1,5 | 23,0 | 20,0 | 47,0 | 80,0 | 60,0 |
| DN 25 | 29,0 x 1,5 | 29,0 | 26,0 | 52,0 | 85,0 | 65,0 |
| DN 32 | 35,0 x 1,5 | 35,0 | 32,0 | 52,0 | 95,0 | 75,0 |
| DN 40 | 41,0 x 1,5 | 41,0 | 38,0 | 52,0 | 100,0 | 80,0 |
| DN 50 | 53,0 x 1,5 | 53,0 | 50,0 | 54,0 | 110,0 | 90,0 |
| DN 65 | 70,0 x 2,0 | 70,0 | 66,0 | 66,0 | 140,0 | 115,0 |
| DN 80 | 85,0 x 2,0 | 85,0 | 81,0 | 66,0 | 150,0 | 125,0 |
| DN 100 | 104,0 x 2,0 | 104,0 | 100,0 | 68,0 | 175,0 | 150,0 |

| ISO | rozměr | A | B | C | D | LK |
|--------|-------------|-------|-------|------|-------|-------|
| DN 8 | 13,5 x 1,6 | 13,5 | 10,3 | 45,0 | 60,0 | 40,0 |
| DN 10 | 17,2 x 1,6 | 17,2 | 14,0 | 45,0 | 65,0 | 45,0 |
| DN 15 | 21,3 x 1,6 | 21,3 | 18,1 | 45,0 | 75,0 | 55,0 |
| DN 20 | 26,9 x 1,6 | 26,9 | 23,7 | 47,0 | 80,0 | 60,0 |
| DN 25 | 33,7 x 2,0 | 33,7 | 29,7 | 52,0 | 85,0 | 65,0 |
| DN 32 | 42,4 x 2,0 | 42,4 | 38,4 | 52,0 | 95,0 | 75,0 |
| DN 40 | 48,3 x 2,0 | 48,3 | 44,3 | 52,0 | 100,0 | 80,0 |
| DN 50 | 60,3 x 2,0 | 60,3 | 56,3 | 54,0 | 110,0 | 90,0 |
| DN 65 | 76,1 x 2,0 | 76,1 | 72,1 | 66,0 | 140,0 | 115,0 |
| DN 80 | 88,9 x 2,3 | 88,9 | 84,3 | 66,0 | 150,0 | 125,0 |
| DN 100 | 114,3 x 2,3 | 114,3 | 109,7 | 68,0 | 175,0 | 150,0 |

jiné rozměry na přání

Příruba s drážkou - RS - STERI-Connect®


 Steril Flansch - RS
Aseptic flange - RS


| DIN | rozměr | A | B | C | D | LK |
|--------|-------------|-------|-------|------|-------|-------|
| DN 8 | 10,0 x 1,0 | 10,0 | 8,0 | 45,0 | 60,0 | 40,0 |
| DN 10 | 12,0 x 1,0 | 12,0 | 10,0 | 45,0 | 65,0 | 45,0 |
| DN 10 | 13,0 x 1,5 | 13,0 | 10,0 | 45,0 | 65,0 | 45,0 |
| DN 15 | 19,0 x 1,5 | 19,0 | 16,0 | 45,0 | 75,0 | 55,0 |
| DN 20 | 23,0 x 1,5 | 23,0 | 20,0 | 47,0 | 80,0 | 60,0 |
| DN 25 | 29,0 x 1,5 | 29,0 | 26,0 | 52,0 | 85,0 | 65,0 |
| DN 32 | 35,0 x 1,5 | 35,0 | 32,0 | 52,0 | 95,0 | 75,0 |
| DN 40 | 41,0 x 1,5 | 41,0 | 38,0 | 52,0 | 100,0 | 80,0 |
| DN 50 | 53,0 x 1,5 | 53,0 | 50,0 | 54,0 | 110,0 | 90,0 |
| DN 65 | 70,0 x 2,0 | 70,0 | 66,0 | 66,0 | 140,0 | 115,0 |
| DN 80 | 85,0 x 2,0 | 85,0 | 81,0 | 66,0 | 150,0 | 125,0 |
| DN 100 | 104,0 x 2,0 | 104,0 | 100,0 | 68,0 | 175,0 | 150,0 |

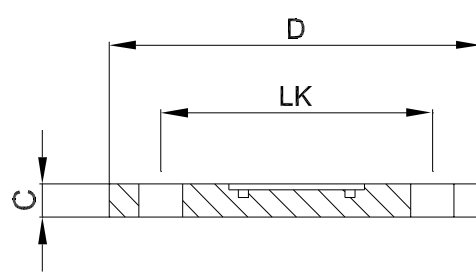
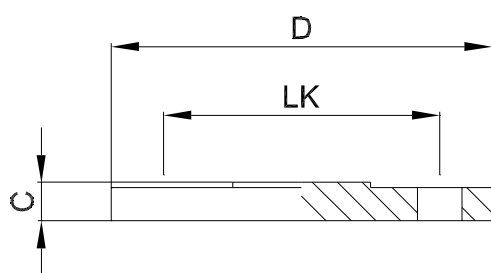
| ISO | rozměr | A | B | C | D | LK |
|--------|-------------|-------|-------|------|-------|-------|
| DN 8 | 13,5 x 1,6 | 13,5 | 10,3 | 45,0 | 60,0 | 40,0 |
| DN 10 | 17,2 x 1,6 | 17,2 | 14,0 | 45,0 | 65,0 | 45,0 |
| DN 15 | 21,3 x 1,6 | 21,3 | 18,1 | 45,0 | 75,0 | 55,0 |
| DN 20 | 26,9 x 1,6 | 26,9 | 23,7 | 47,0 | 80,0 | 60,0 |
| DN 25 | 33,7 x 2,0 | 33,7 | 29,7 | 52,0 | 85,0 | 65,0 |
| DN 32 | 42,4 x 2,0 | 42,4 | 38,4 | 52,0 | 95,0 | 75,0 |
| DN 40 | 48,3 x 2,0 | 48,3 | 44,3 | 52,0 | 100,0 | 80,0 |
| DN 50 | 60,3 x 2,0 | 60,3 | 56,3 | 54,0 | 110,0 | 90,0 |
| DN 65 | 76,1 x 2,0 | 76,1 | 72,1 | 66,0 | 140,0 | 115,0 |
| DN 80 | 88,9 x 2,3 | 88,9 | 84,3 | 66,0 | 150,0 | 125,0 |
| DN 100 | 114,3 x 2,3 | 114,3 | 109,7 | 68,0 | 175,0 | 150,0 |

ASEPTICKÝ PROGRAM

Zaslepovací příruba s nákrůžkem - VS - STERI-Connect®



Zaslepovací příruba s drážkou - RS - STERI-Connect®



| DIN | rozměr | C | D | LK |
|--------|-------------|------|-------|-------|
| DN 8 | 10,0 x 1,0 | 10,0 | 60,0 | 40,0 |
| DN 10 | 12,0 x 1,0 | 10,0 | 65,0 | 45,0 |
| DN 10 | 13,0 x 1,5 | 10,0 | 65,0 | 45,0 |
| DN 15 | 19,0 x 1,5 | 10,0 | 75,0 | 55,0 |
| DN 20 | 23,0 x 1,5 | 12,0 | 80,0 | 60,0 |
| DN 25 | 29,0 x 1,5 | 12,0 | 85,0 | 65,0 |
| DN 32 | 35,0 x 1,5 | 12,0 | 95,0 | 75,0 |
| DN 40 | 41,0 x 1,5 | 12,0 | 100,0 | 80,0 |
| DN 50 | 53,0 x 1,5 | 14,0 | 110,0 | 90,0 |
| DN 65 | 70,0 x 2,0 | 16,0 | 140,0 | 115,0 |
| DN 80 | 85,0 x 2,0 | 16,0 | 150,0 | 125,0 |
| DN 100 | 104,0 x 2,0 | 18,0 | 175,0 | 150,0 |

| DIN | rozměr | C | D | LK |
|--------|-------------|------|-------|-------|
| DN 8 | 10,0 x 1,0 | 10,0 | 60,0 | 40,0 |
| DN 10 | 12,0 x 1,0 | 10,0 | 65,0 | 45,0 |
| DN 10 | 13,0 x 1,5 | 10,0 | 65,0 | 45,0 |
| DN 15 | 19,0 x 1,5 | 10,0 | 75,0 | 55,0 |
| DN 20 | 23,0 x 1,5 | 12,0 | 80,0 | 60,0 |
| DN 25 | 29,0 x 1,5 | 12,0 | 85,0 | 65,0 |
| DN 32 | 35,0 x 1,5 | 12,0 | 95,0 | 75,0 |
| DN 40 | 41,0 x 1,5 | 12,0 | 100,0 | 80,0 |
| DN 50 | 53,0 x 1,5 | 14,0 | 110,0 | 90,0 |
| DN 65 | 70,0 x 2,0 | 16,0 | 140,0 | 115,0 |
| DN 80 | 85,0 x 2,0 | 16,0 | 150,0 | 125,0 |
| DN 100 | 104,0 x 2,0 | 18,0 | 175,0 | 150,0 |

| ISO | rozměr | C | D | LK |
|--------|-------------|------|-------|-------|
| DN 8 | 13,5 x 1,6 | 10,0 | 60,0 | 40,0 |
| DN 10 | 17,2 x 1,6 | 10,0 | 65,0 | 45,0 |
| DN 15 | 21,3 x 1,6 | 10,0 | 75,0 | 55,0 |
| DN 20 | 26,9 x 1,6 | 12,0 | 80,0 | 60,0 |
| DN 25 | 33,7 x 2,0 | 12,0 | 85,0 | 65,0 |
| DN 32 | 42,4 x 2,0 | 12,0 | 95,0 | 75,0 |
| DN 40 | 48,3 x 2,0 | 12,0 | 100,0 | 80,0 |
| DN 50 | 60,3 x 2,0 | 14,0 | 110,0 | 90,0 |
| DN 65 | 76,1 x 2,0 | 16,0 | 140,0 | 115,0 |
| DN 80 | 88,9 x 2,3 | 16,0 | 150,0 | 125,0 |
| DN 100 | 114,3 x 2,3 | 18,0 | 175,0 | 150,0 |

| ISO | rozměr | C | D | LK |
|--------|-------------|------|-------|-------|
| DN 8 | 13,5 x 1,6 | 10,0 | 60,0 | 40,0 |
| DN 10 | 17,2 x 1,6 | 10,0 | 65,0 | 45,0 |
| DN 15 | 21,3 x 1,6 | 10,0 | 75,0 | 55,0 |
| DN 20 | 26,9 x 1,6 | 12,0 | 80,0 | 60,0 |
| DN 25 | 33,7 x 2,0 | 12,0 | 85,0 | 65,0 |
| DN 32 | 42,4 x 2,0 | 12,0 | 95,0 | 75,0 |
| DN 40 | 48,3 x 2,0 | 12,0 | 100,0 | 80,0 |
| DN 50 | 60,3 x 2,0 | 14,0 | 110,0 | 90,0 |
| DN 65 | 76,1 x 2,0 | 16,0 | 140,0 | 115,0 |
| DN 80 | 88,9 x 2,3 | 16,0 | 150,0 | 125,0 |
| DN 100 | 114,3 x 2,3 | 18,0 | 175,0 | 150,0 |

jiné rozměry na přání

ASEPTICKÝ PROGRAM

Těsnění STERI-Connect®



Steril Dichtring STERI-Connect®
Aseptic seal ring STERI-Connect®

Šrouby a matice pro přírubové spojení STERI-Connect®

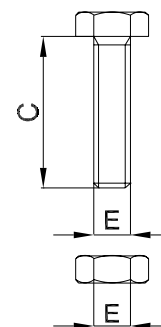


Sechskantschraubensatz für STERI-Connect®
Hexagonal screw set for STERI-Connect®

Šestihranný šroub: EN ISO 4017

Šestihranná matice: EN ISO 4032

Materiál: A2-70 (na přání A4-80)



| DIN | rozměr | | | | |
|--------|-------------|--|--|--|--|
| DN 6 | 8,0 x 1,0 | | | | |
| DN 8 | 10,0 x 1,0 | | | | |
| DN 10 | 12,0 x 1,0 | | | | |
| DN 10 | 13,0 x 1,5 | | | | |
| DN 15 | 19,0 x 1,5 | | | | |
| DN 20 | 23,0 x 1,5 | | | | |
| DN 25 | 29,0 x 1,5 | | | | |
| DN 32 | 35,0 x 1,5 | | | | |
| DN 40 | 41,0 x 1,5 | | | | |
| DN 50 | 53,0 x 1,5 | | | | |
| DN 65 | 70,0 x 2,0 | | | | |
| DN 80 | 85,0 x 2,0 | | | | |
| DN 100 | 104,0 x 2,0 | | | | |

| DIN | ISO | C | E | Počet |
|-----------|-----------|----|-----|-------|
| DN 8 - 40 | DN 8 - 40 | 30 | M8 | 4 |
| DN 50 | DN 50 | 35 | M8 | 4 |
| DN 65-80 | DN 65-80 | 40 | M10 | 4 |
| DN 100 | DN 100 | 45 | M10 | 4 |

| ISO | rozměr | | | | |
|--------|-------------|--|--|--|--|
| DN 8 | 13,5 x 1,6 | | | | |
| DN 10 | 17,2 x 1,6 | | | | |
| DN 15 | 21,3 x 1,6 | | | | |
| DN 20 | 26,9 x 1,6 | | | | |
| DN 25 | 33,7 x 2,0 | | | | |
| DN 32 | 42,4 x 2,0 | | | | |
| DN 40 | 48,3 x 2,0 | | | | |
| DN 50 | 60,3 x 2,0 | | | | |
| DN 65 | 76,1 x 2,0 | | | | |
| DN 80 | 88,9 x 2,3 | | | | |
| DN 100 | 114,3 x 2,3 | | | | |

jiné rozměry na přání